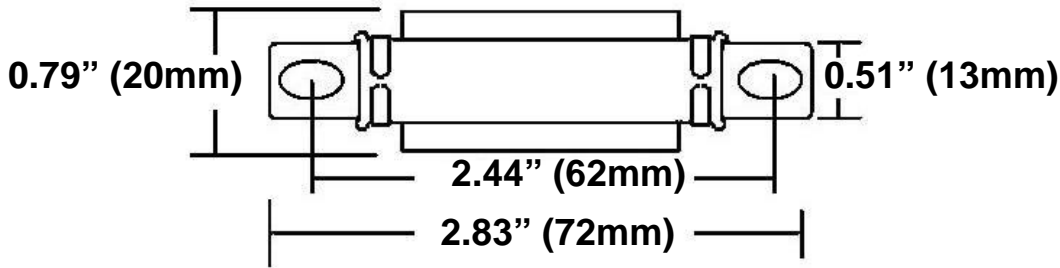
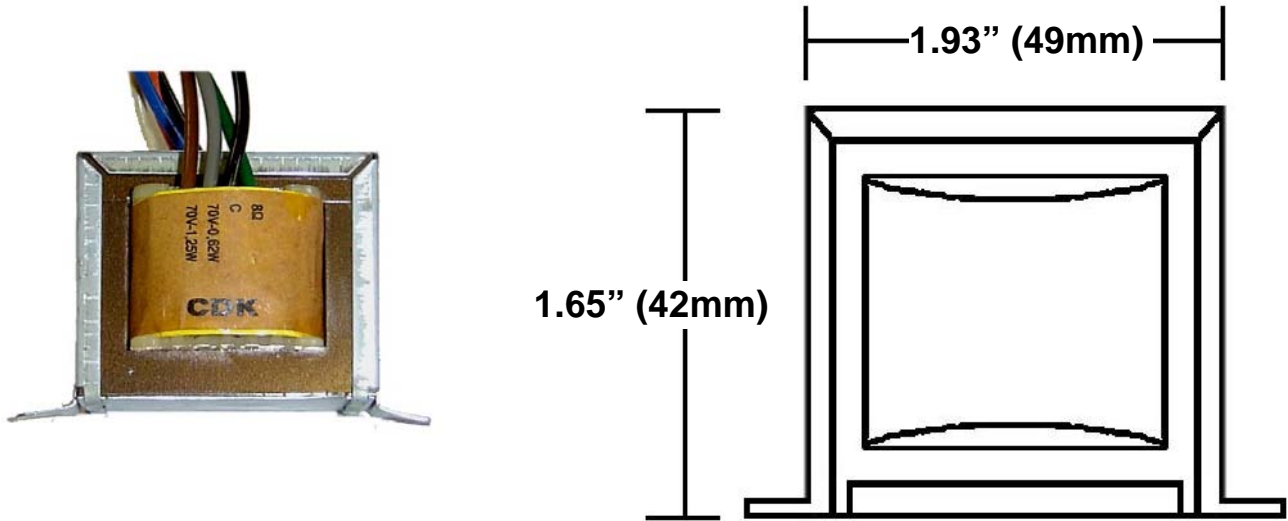




AMK Commercial Series

**T25/70V10W**

25/70 dual volt 10watts Transformer for Loudspeaker



**Specifications:**

<b>Primary Voltage</b>	25 / 70 volts
<b>Power Rating</b>	10 Watts
<b>Primary Taps (in 25 and 70 volts)</b>	10, 5, 2.5, 1.25, 0.625W
<b>Secondary Impedance</b>	8, 4 Ohms
<b>Insertion Loss</b>	.8dB
<b>Frequency Response</b>	50 – 15kHz ± 1dB
<b>Lead Length</b>	8.5 in.