



AMK Commercial Series

## CX 602

6½" Coaxial Loudspeaker



The AMK CX-602 is a full range, low distortion, coaxial transducer. The speaker combines high performance, power handling and a very smooth response.

This unit is specifically designed to provide accurate sound. This is one of the few transducers in the commercial sound industry that produces and meets the standards of recording studio. However, it is designed for overhead applications.

Excellent dispersion, wide bandwidth, and a smooth frequency response make this the top choice for today's overhead commercial applications.

### Features:

- ♦ Polypropylene Woofer Cone
- ♦ Inverted Rubber Surround
- ♦ 1" Dome Tweeter

### Related Accessories:

Transformers: 70V or 25V Line of Transformers

Recommended Backbox: BC8-7

Baffle: 6MRG

Tile Bridge: TB8R

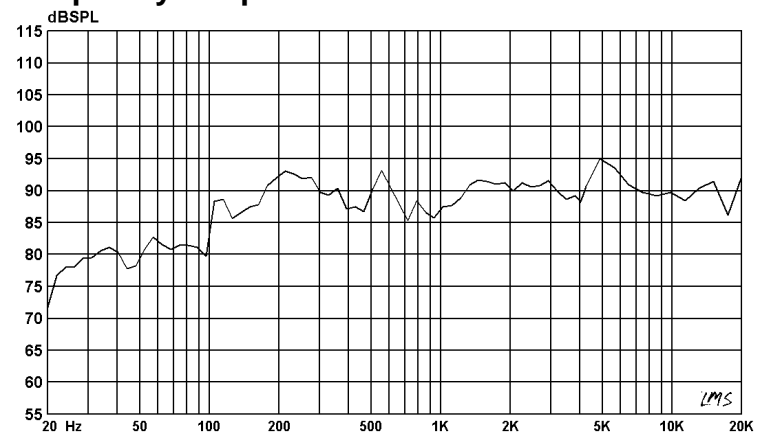
### Specifications

Frequency Response	65 Hz - 20 kHz
Power Handling	20 watts
Impedance	8 ohm
Sound Pressure level (1w/1m)	91 dB
Voice-coil diameter	1"
Average Beamwidth @ 2 kHz	144°
Fo	65 Hz
Qts	0.7
Vas	.47 ft <sup>3</sup>
Re	3.6 ohm
Xmax	2.2 mm
Magnet Weight	13 oz
Magnet Material	Barium Ferrite
Tweeter	13mm Polyamide Hard Dome
Tweeter Magnet	Neodymium
Woofer Cone	Polypropylene
Surround Material	Inverted Rubber
Crossover Frequency	5.0 kHz

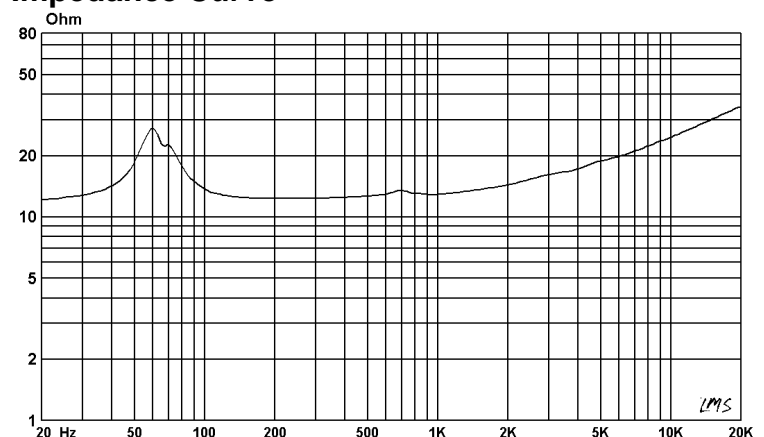
### Physical Constants

Depth	3"
Width	6 ½"
Mounting	4 holes equally spaced 6 ⅛"
Voice-coil Material	Copper
Voice-coil Insulation	Polyamide, 220 degree rating
Voice-Coil former	Aluminum
Speaker frame	22ga stamped steel
Frame Paint	Black zinc
Net Weight	2.31 lbs
Shipping Weight	2.90 lbs

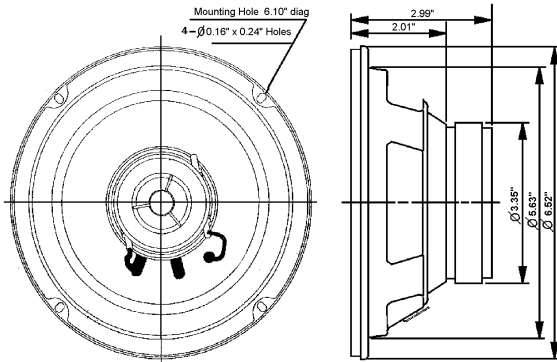
### Frequency Response



### Impedance Curve



## Polar Responses



### Architect's & Engineer's Specifications

Unit shall be AMK 6½" coaxial loudspeaker Model CX601 or loudspeaker / transformer combination Model CX601T \_\_\_\_\_ (utilizing AMK line-matching transformer Model T \_\_\_\_\_). The low frequency reproducer shall be a full 6½" (165mm) in diameter and the high frequency reproducer shall be 1" in diameter. The power handling of the unit shall be 20W

The woofer shall have a 13 oz. (369g) Barium Ferrite magnet. The voice coil diameter of low frequency unit shall be 1" (2.54mm). The high frequency voice coil diameter shall be 0.51" (13mm) and shall be polyamide soft dome. The woofer cone material of the loudspeaker unit shall be polypropylene. The surround of the loudspeaker unit shall be inverted rubber.

The two reproducer sections shall be coupled through a built-in crossover network. The crossover frequency shall be at 5.0 kHz. The unit's frequency response range shall be 65 Hz to 20 kHz (+/- 5dB). The unit's sensitivity shall be 91dB at 1 watt / 1 meter. Voice coil impedance shall be 4ohms. Transformer primary voltage shall be \_\_\_\_\_ (25V, 70.7V, 70/25) with a frequency response range of \_\_\_\_\_ and power taps at \_\_\_\_\_ watts. Insertion loss shall not exceed \_\_\_\_\_ dB.

The maximum depth of the loudspeaker shall not exceed 3" (76mm). The unit's total weight shall not exceed 2.31 lbs (1.04 kg).

The loudspeaker shall be AMK Innovations model CX601.

**Conforms to EIA Standards:  
RS-276-A, RS-278-B, RS-426-A**

