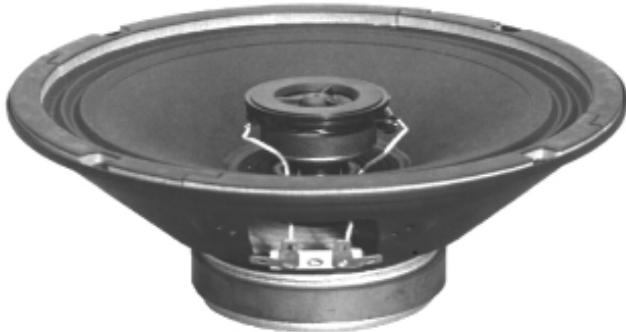




AMK Commercial Series
CX 801
 8" Coaxial Loudspeaker



The AMK CX-801 loudspeaker is a full-range co-axial transducer. Its excellent polar dispersion is a result of its high quality polyamide tweeter. This makes it suitable for foreground or background music applications. Most speakers of this type utilize piezo electric tweeters which results in poor off-axis intelligibility. This unit's high efficiency, excellent speech intelligibility, and flat frequency response allow for a wide range of commercial applications.

FEATURES

- Woofer Cone: Treated Paper
- Surround Material: Cloth Roll
- Tweeter: 1inch Dome Tweeter

MODEL NUMBERS

- CX-801** Loudspeaker without transformer, 8 Ohm
- CX-801T70V4** Loudspeaker with T70V4W transformer (Taps: 4W, 2.W, 1W, 0.5W)
- CX-801T70V5** Loudspeaker with T70V5W transformer (Taps: 5W, 2.5W, 2W, 1W)
- CX-801T70V7.5** Loudspeaker with T70V7.5W transformer (Taps: 7.5W, 5W, 2.5W, 1.25W)
- CX-801T70V15** Loudspeaker with T70V15W transformer (Taps: 15W, 10W, 5W, 2.5W)

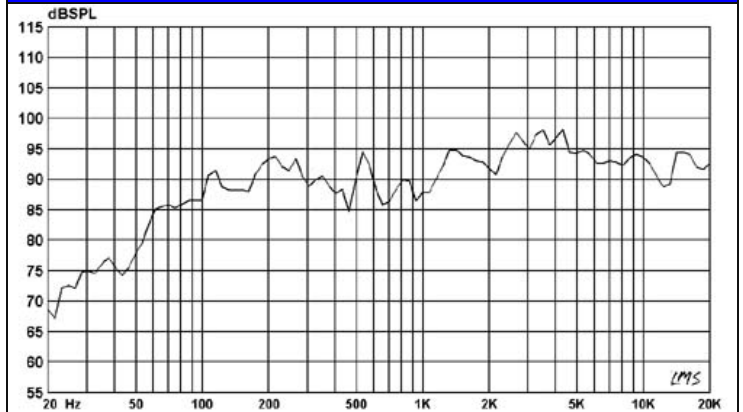
SPECIFICATIONS

Frequency Response	85 Hz - 22 kHz
Power Handling	20 watts
Impedance	8 ohms
SPL (1w/1m)	90 dB
Voice-coil diameter	1"
Avg. Beam Width @ 2kHz	104 degrees
Fo	85 Hz
Qts	0.73
Vas	.11 cu.ft.
Re	7 ohm
Xmax	1.65 mm
Magnet Weight	10 oz
Magnet Material	Barium Ferrite
Tweeter	13mm semi dome tweeter
Tweeter Magnet	Barium Ferrite
Woofer Cone	Treated Paper
Surround Material	Cloth-Roll

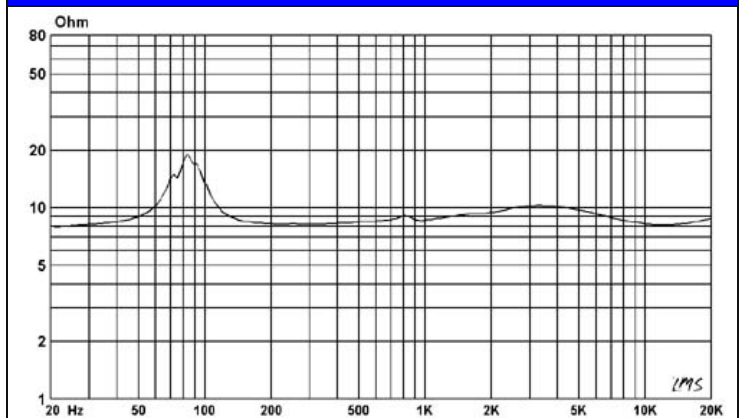
PHYSICAL CONSTANTS

Depth	3 in.
Width	8 1/8 in.
Mounting	4 holes equally spaced 7 5/8 In.
Voice Coil Material	Copper
Voice Coil Insulation	Polyamide, 220 Degree Rating
Voice Coil Former	Aluminum
Speaker Frame	22ga Stamped Steel
Frame Paint	Black Zinc
Net Weight	2.27 lbs
Shipping Weight	2.5 lbs
Net Weight	1.4 lbs
Shipping Weight	1.6 lbs

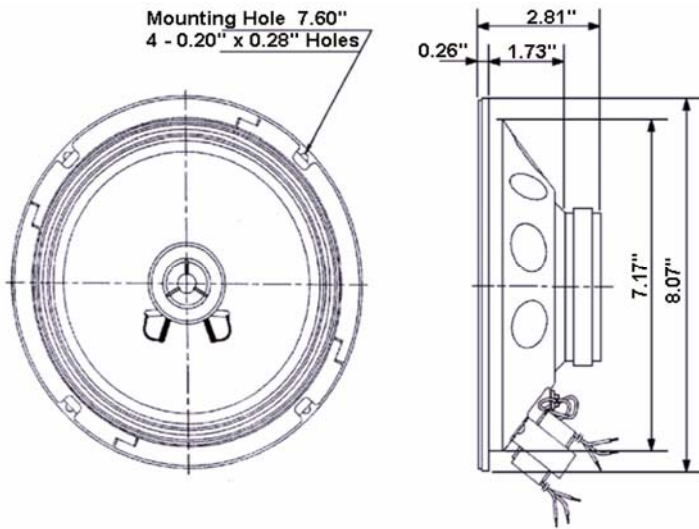
FREQUENCY RESPONSE



IMPEDANCE CURVE



MEASUREMENT DRAWING



Architect's & Engineer's Specifications

The speaker shall be the AMK 8" Coaxial Model CX801 or loudspeaker / transformer combination Model CX801T _____ (utilizing AMK line-matching transformer Model T _____). The low frequency portion shall be a full 8" (203mm) in diameter and the high frequency reproducer shall be 1.875" in diameter. The power handling of the combined assembly shall be 20W.

The woofer shall have a 10 oz. (283g) Barium Ferrite magnet. The voice coil diameter of the low frequency unit shall be 1" (25.4mm). The high frequency voice coil diameter shall be 0.51" (13mm) and shall be a 1" polyamide soft dome. The woofer cone material of the loudspeaker unit shall be treated paper. The surround of the loudspeaker unit shall be pleated cloth.

The two reproducer sections shall be coupled through a built-in capacitor bypass crossover. The crossover frequency shall be at 5.5 kHz. The unit's frequency response range shall be 85 Hz to 20 kHz (+/- 5dB). The unit's sensitivity shall be 90dB at 1 watt / 1 meter. Voice coil impedance shall be 8 ohms.

Transformer primary voltage shall be _____ (25V, 70.7V) with a frequency response range of _____ and power taps at _____ watts. Insertion loss shall not exceed _____ dB.

The maximum depth of the loudspeaker shall not exceed 3.0" (76mm). The unit's total weight shall not exceed 2.27 lbs (1.03 kg).

The loudspeaker shall be AMK Innovations model CX801.

**Conforms to EIA Standards:
RS-276-A, RS-278-B, RS-426-A**

POLAR RESPONSES

